

**TESTED
IN THE FIELD**



Combat Collars have been tested with 100 PVC foam core pipes, not all products in the market today have been tested to this higher standard.

Combat Collars have been tested with a fitting inside the collar which was pushed all the way to the top of the collar, not all collars have been tested with the fitting fully inside the collar.

Combat Collars have been specially designed to hold PVC pipe tight for efficient installation.

Our collars have been Independently tested to AS1530.4 & AS4072.1

Installation Instructions

1. Place the collar on the formwork. Secure the collar to the formwork by nailing flat head clouts through the slots in the flange. Ensure the base flange is flat on the formwork so no concrete slurry can enter the collar.
2. Insert a pipe section through the top of the collar, with the bottom sitting squarely on the formwork. The top of the pipe must be higher than the final height of the slab's upper surface. Ensure the pipe retains its true vertical position during the pour and while the slab sets.
3. Ensure the underside of the collar is clean and free from debris once the form work is removed.

Combat collar dimensions (mm)

PRODUCT CODE		CLEAN 40	CLEAN 50	CLEAN 100
uPVC pipe nominal dia. (mm)		40	50	100
BODY	H	49 + 30*	49 + 30*	60 + 20*
	D1	43	56	110
	D2	100	100	163
FLANGE	D3	151	151	210

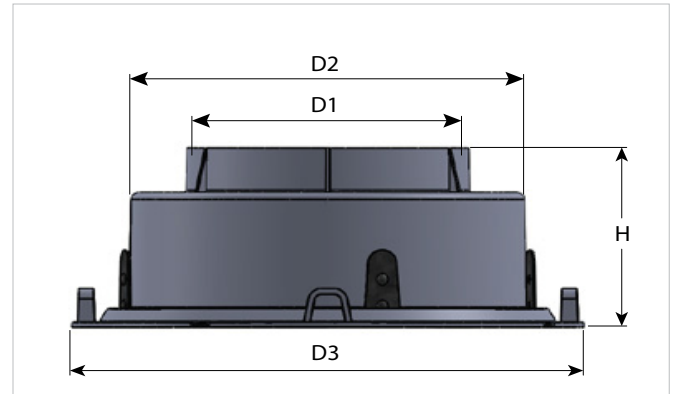
uPVC pipes in 120mm concrete slabs

PRODUCT CODE		PIPE DIA. NOMINAL (mm)	PIPE DIA. ACTUAL (mm)	FRL RESULT
CLEAN 40	Pipe only	40	43	-/240/240
	with fitting**	40	47	-/180/180
CLEAN 50	Pipe only	50	56	-/240/240
	with fitting**	50	61	-/240/240
CLEAN 100	Pipe only	100*	110	-/180/180
	with fitting**	100*	117	-/180/180

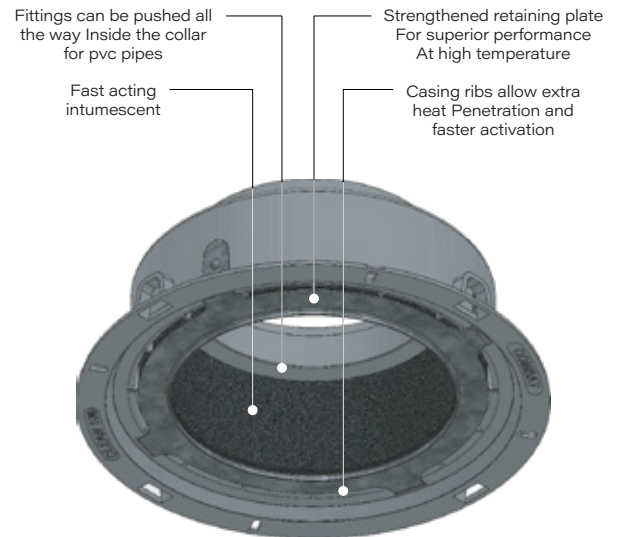
HDPE in 120mm concrete slabs

PRODUCT CODE		PIPE DIA. NOMINAL (mm)	PIPE DIA. ACTUAL (mm)	FRL RESULT
CLEAN 40	Pipe only	32	40	-/180/180
CLEAN 50	Pipe only	40	50	-/180/180
		50	56	-/180/180
CLEAN 100	Pipe only	110	110	-/180/180

Full test reports are available on line at www.combatcollars.com.au



* Refer to Combat Collar Dimensions table



Drillcut - Melbourne

15 Corporate Place
Broadmeadows
VIC 3047

SALES/SUPPORT
03 8301 9999

Drillcut - Sydney

Unit 14, Cumberland Green Estate
2-8 South Street
Rydalmere, NSW 2116

SALES/SUPPORT
02 9737 0099

Drillcut - Launceston

3/34 Innocent Street
Kings Meadows
TAS 7249

SALES/SUPPORT
03 6343 6484

Drillcut - Hobart

273d Kennedy Drive
Cambridge
TAS 7170

SALES/SUPPORT
03 6272 1190